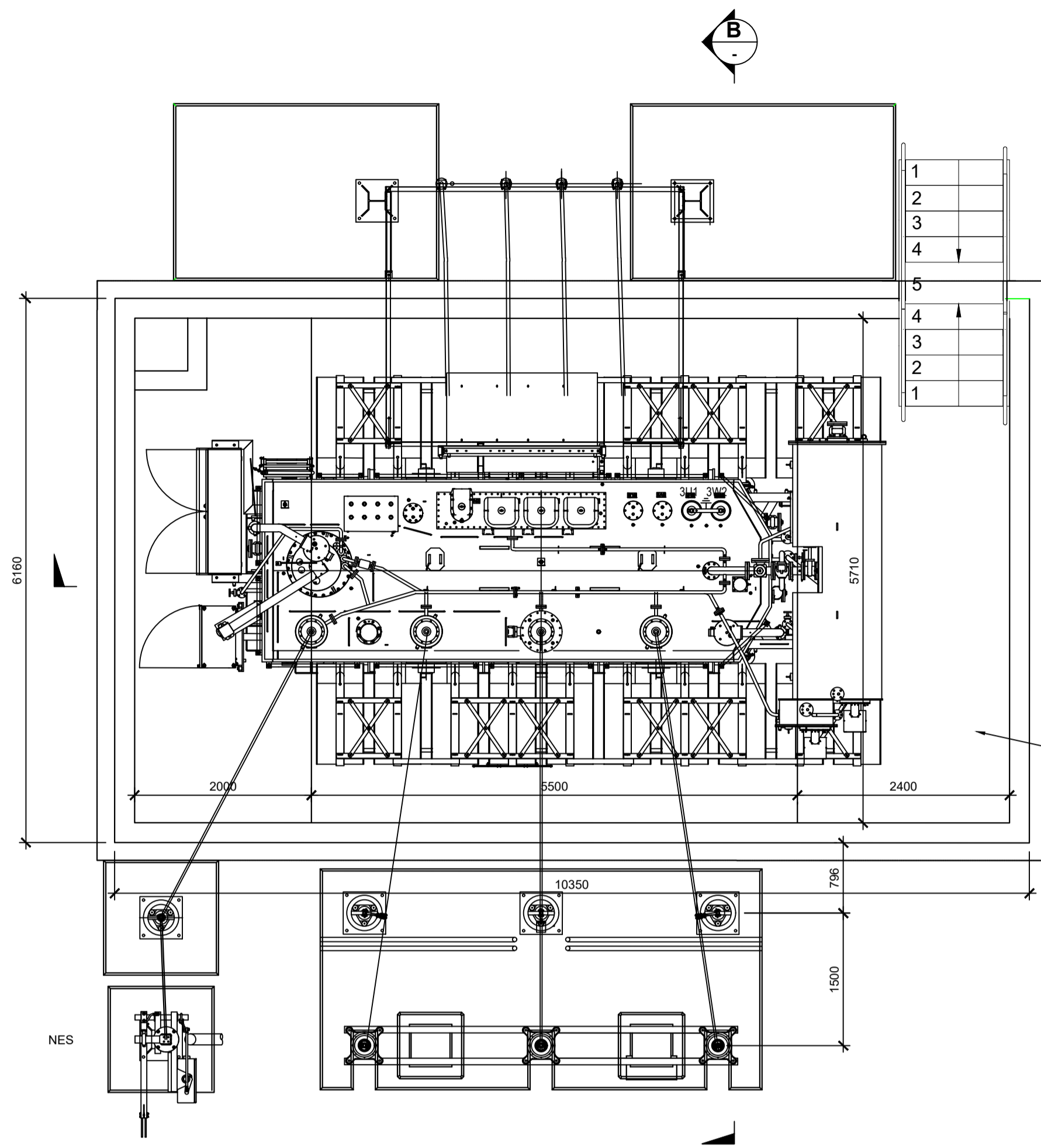
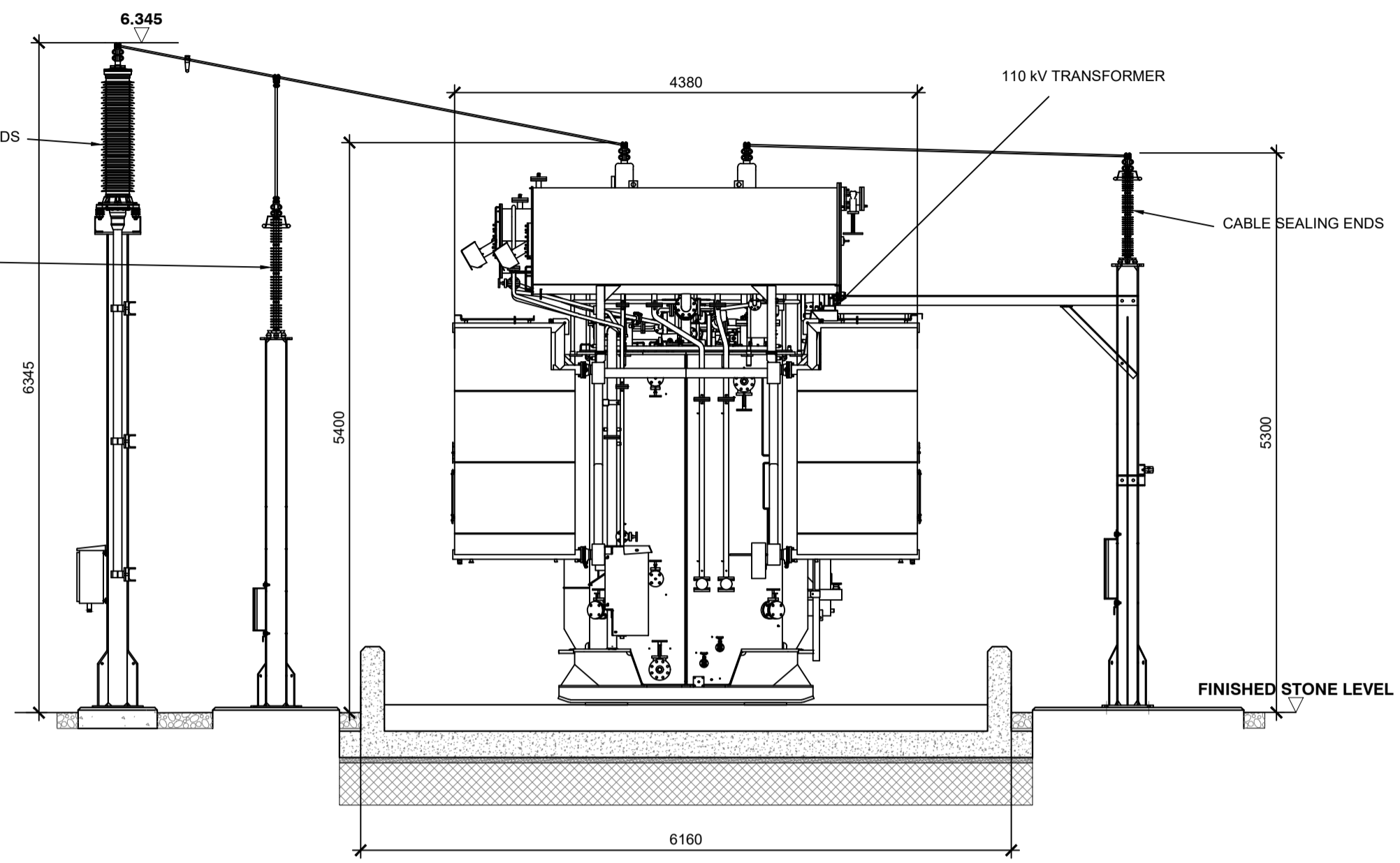
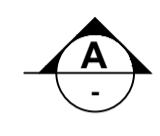
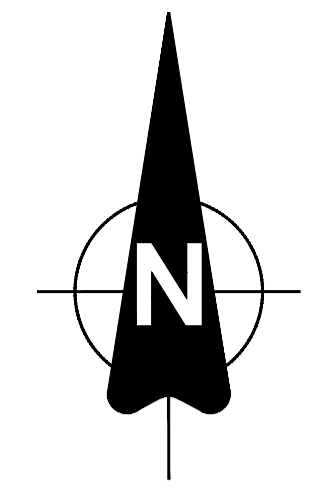


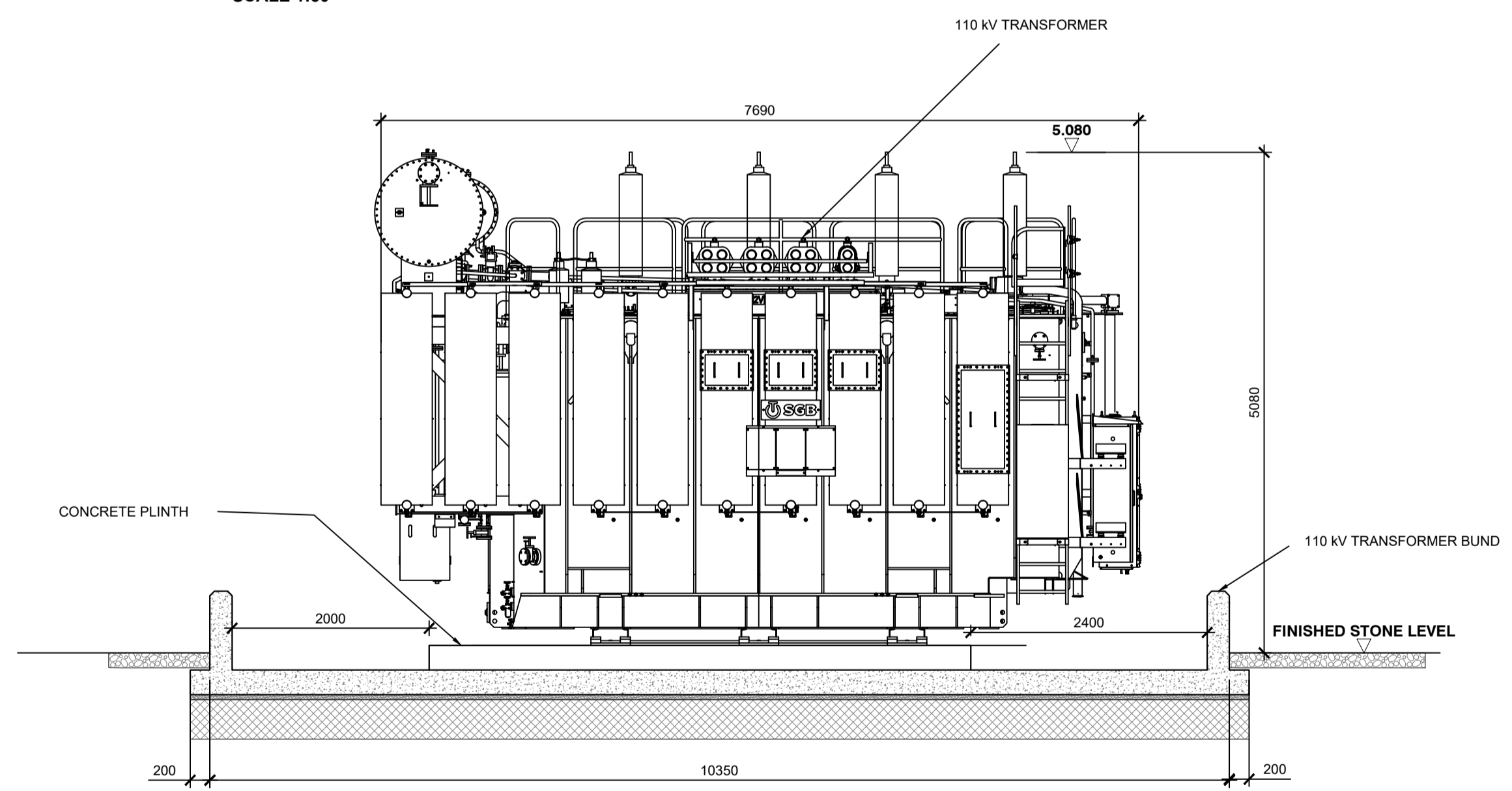
- NOTES:
1. ALL DIMENSIONS IN mm UNLESS OTHERWISE STATED. NO DIMENSIONS SHALL BE SCALED FROM THE DRAWINGS.
 2. ALL LEVELS PROVIDED ON THIS DRAWING ARE SHOWN RELATIVE TO FINISHED STONE LEVEL. FOR SITE SPECIFIC LEVELS REFER TO SITE SECTIONS AND ELEVATIONS.
 3. DRAWING IS FOR PLANNING PURPOSES ONLY. NOT FOR CONSTRUCTION USE.



PLAN ON TRANSFORMER BUND
SCALE 1:50



SECTION B
SCALE 1:50



SECTION A
SCALE 1:50

REV	DATE	REVISION DESCRIPTION	DRN	PROD	VER	APP
0	XXX/24	ISSUED FOR XXX				

COPYRIGHT © ESB
ALL RIGHTS RESERVED. NO PART OF THIS WORK MAY BE MODIFIED, REPRODUCED OR COPIED IN ANY FORM OR BY ANY MEANS - GRAPHIC, ELECTRONIC OR MECHANICAL, INCLUDING PHOTOCOPYING, RECORDING, TAPING OR USED FOR ANY PURPOSE OTHER THAN ITS DESIGNATED PURPOSE, WITHOUT THE WRITTEN PERMISSION OF ESB.

PURPOSE OF ISSUE - PRELIMINARY UNLESS INDICATED
 CLIENT APPROVAL PLANNING TENDER CONSTRUCTION AS-BUILT

CLIENT **ESB NETWORKS**

PROJECT **General Civil Drawings and Notes**

CONTRACT

DRAWING TITLE
**GENERAL DRAWINGS AND NOTES
 PLANNING
 110 kV TRANSFORMER BUND DETAILS**

PRODUCTION UNIT **Transmission and Distribution Delivery**



Engineering and Major Projects,
 One Dublin Airport Central, Dublin Airport,
 Cloughran, Co. Dublin, K67 XF72, Ireland.
 Tel: +353 (0)1 703 8000 Web: www.esb.ie
 Engineering and Major Projects is a division of ESB.

DRAWN	PRODUCED	VERIFIED	APPROVED	APPROVAL DATE
J.Byrne	J.Byrne	T.Cassells	K.O'Neill	02/10/2025
CLIENT REF	NO. OF SHTS	SIZE	SCALE	SCALE
TC234181	1	A1	AS SHOWN	

DRAWING NUMBER **PG406-D100-088-001-000**